



**4" Duct (Standard):**  
80 CFM/1.5 Sones @ 0.1 SP, 11.7 Watts  
54 CFM @ 0.25 SP



**Description**

Low noise ceiling mount ventilating fan, and heat. It is cUL listed and Home Ventilating institute (HVI) certified.

**DC Motor/Blower**

- Power rating of 120 volts/60Hz
- DC brushless motor engineered to run continuously
- Motor equipped with thermal cutoff fuse
- Removable with permanently lubricated plug-in motor
- Built-in soft start function to increase bearings' life
- Automatically powers OFF when impeller is locked abnormally

**Housing**

- Galvanized steel body
- Detachable 4" diameter duct adapter
- Built-in backdraft damper
- Easy installation

**Grille**

- Attractive design using PBT material
- Attaches directly to housing with torsion springs

**Heater**

- 1300W heating element evaluated by cUL for safety standards
- Heater module equipped with thermal cutoff fuse and thermostat

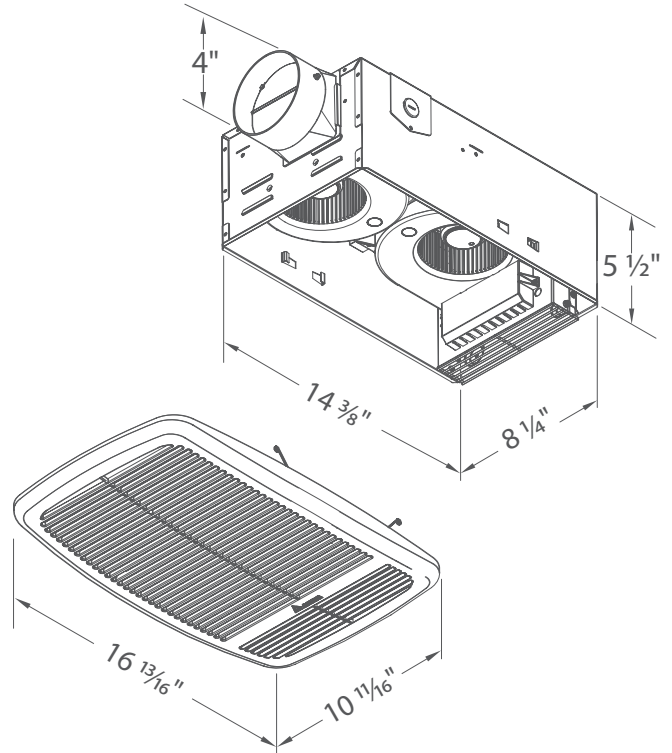
**Warranty**

- 3-Year limited warranty

**TYPICAL SPECIFICATION**

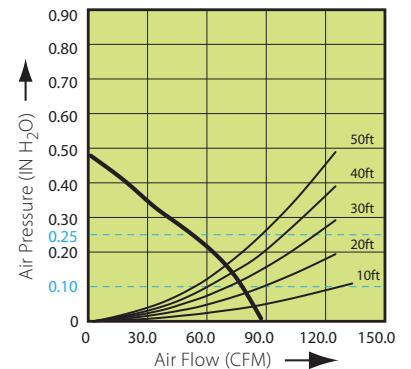
Ventilation fan shall be model RAD80 ; brushless DC motor engineered to run continuously for a minimum 70,000 hours; airflow rating of 80 CFM (±10%) and 1.5 Sones at 0.1 static pressure. Power consumption approximately 11.7 Watts with an efficiency rating approximately 7.0 CFM/Watt. Duct diameter is 4"

Built-in thermostat to regulate temperature. Metal guard to help prevent user contact with heating wire. Heater element with 1300W and conforms to cUL safety standards. Heater module equipped with thermal cutoff fuse and thermostat.



BreezRadiance RAD80		
	4" Duct (Standard)	
Static Pressure (Inches w.g.)	0.1	0.25
Air Flow (CFM)	80	54
Sones	1.5	N/A
Power Consumption (Watts)	11.7	8.2
Energy Efficiency (CFM/Watts)	7.0	6.4
Current (Amps)	11	
Power Rating (V/Hz)	120/60	
Heating element (Watts)	1300	
Total power (Watts)	1314	

**RAD80 Fan Curve**



Model	Quantity	Comments	Project:
			Location:
			Architect:
			Engineer:
			Contractor:
			Submitted by:
			Date: